



daisy
pool covers & rollers

The
Acoustic



Pump & Filter Enclosures



“Daisy Pool Covers, Australia’s leading provider of pool covers and rollers, is excited to announce its acquisition of The Acoustic Box, a renowned Australian manufacturer of premium soundproofed pump & filter enclosures.

This strategic acquisition marks a significant milestone in Daisy Pool Covers' commitment to diversifying its product range and enhancing its offerings to its trade customers across Australia.”

Derek Prince

Derek Prince
Managing Director

daisy
pool covers & rollers

The
Acoustic Box
Pump & Filter Enclosures



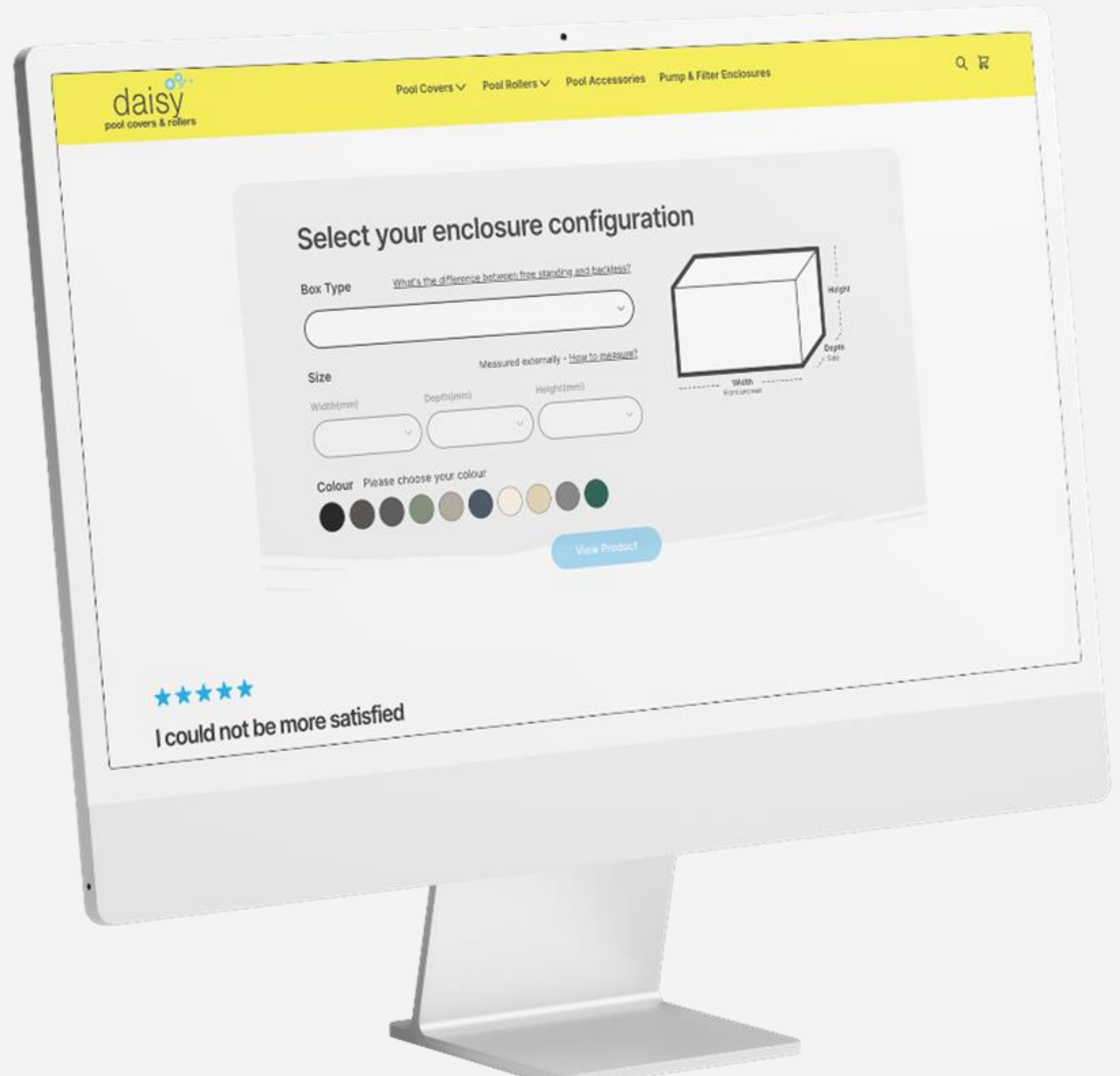
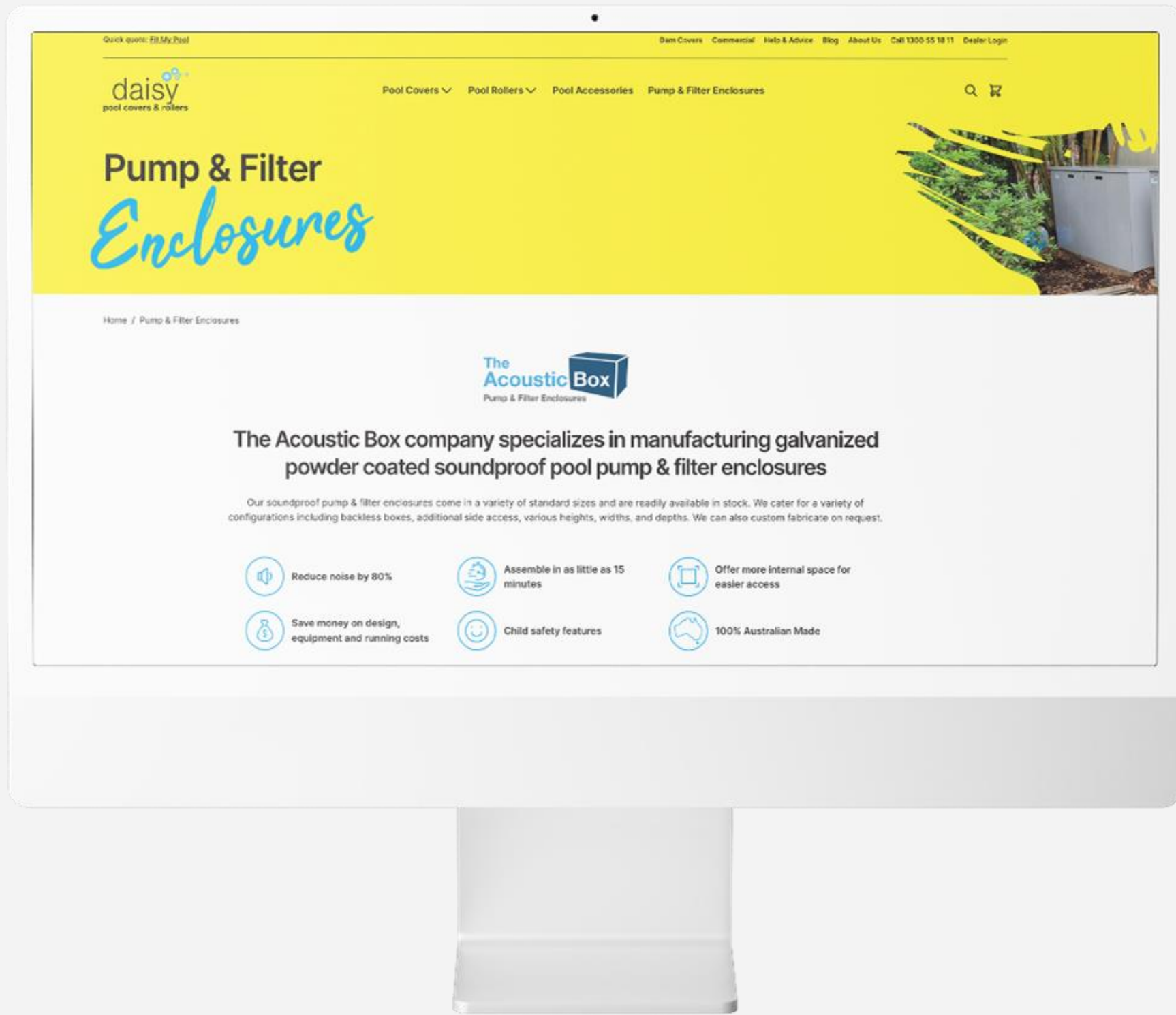
The Acoustic Box company specializes in manufacturing galvanized powder coated soundproof pool pump & filter enclosures

Our soundproof pump & filter enclosures come in a variety of standard sizes and are readily available in stock. We cater for a variety of configurations including backless boxes, additional side access, various heights, widths, and depths. We can also custom fabricate on request.



daisy
pool covers & rollers

The
Acoustic Box
Pump & Filter Enclosures



Now available online [here](#)

Benefits



Money Back
Guarantee



Child Safety
Features



Easy To
Assemble



Reduce Noise
By 80%



Gas Strut
Opening Lid



Removable
Front Panel

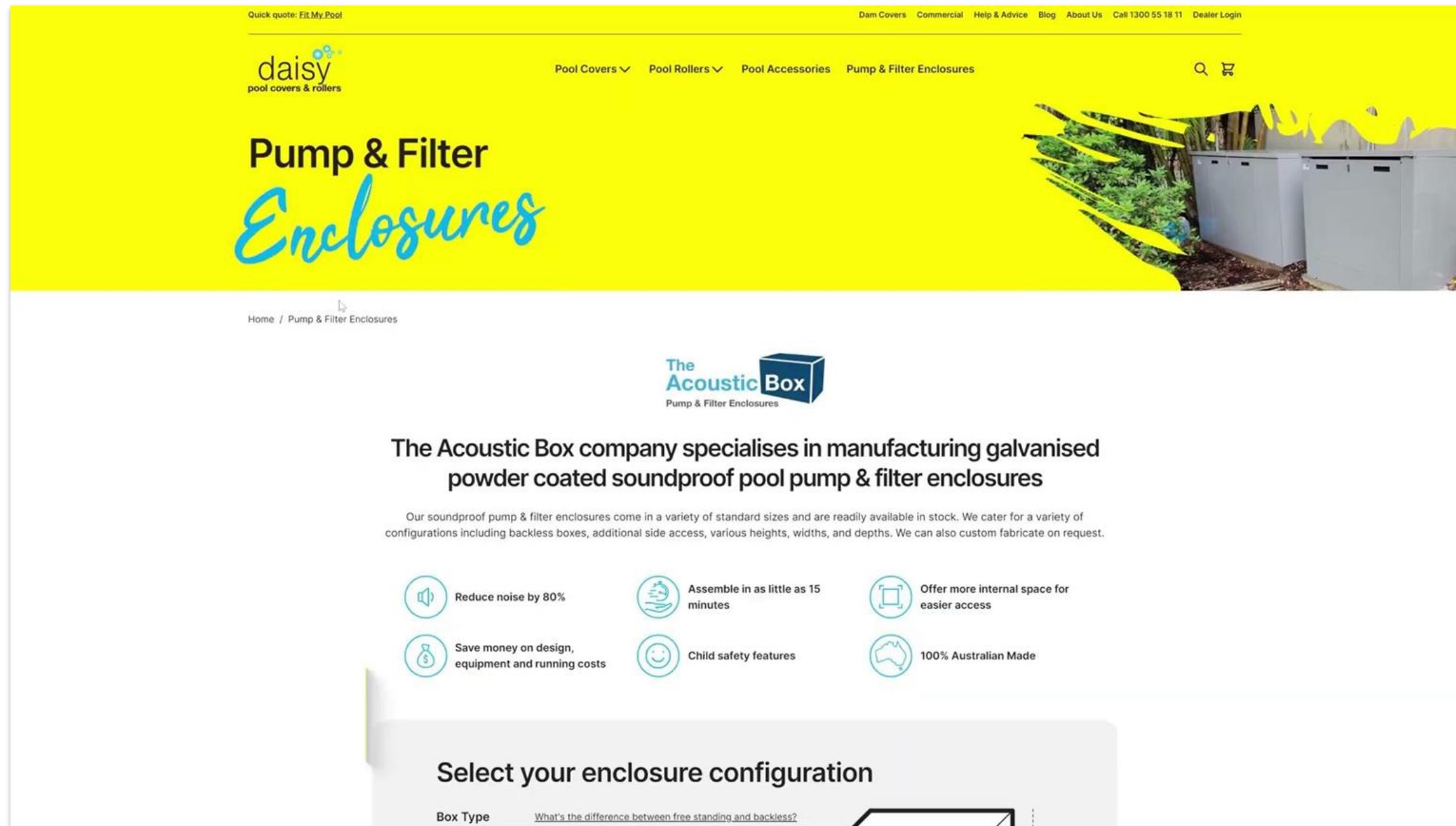


Offer more
internal space
for easier access

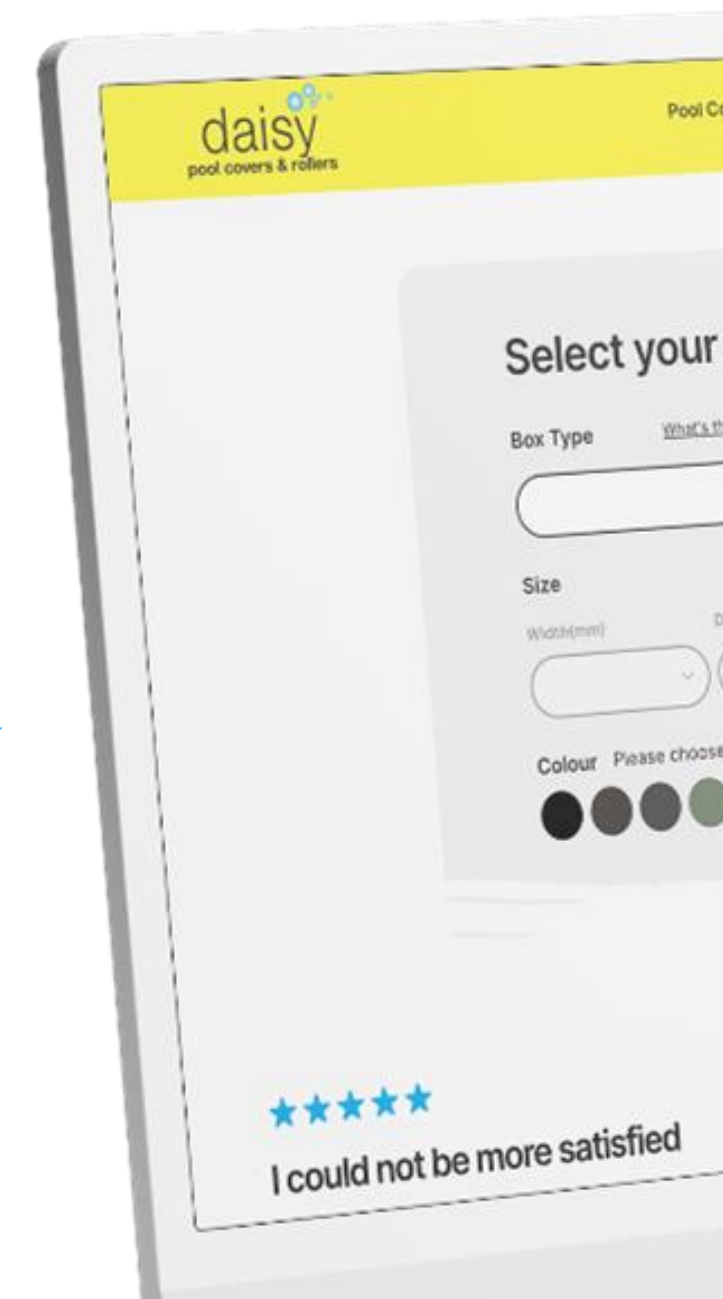


100% Australian
Made & Designed

Choosing The Right Acoustic Box Video Walkthrough



Click to play



The Difference between Freestanding and Backless Enclosures

Understanding the differences between our free standing and backless pool pump & filter enclosures is crucial for selecting the right Acoustic Box for your setup

Freestanding

- Rear Panel: A free standing pool pump & filter enclosure includes a rear panel with wooden insert to mount equipment, providing a fully enclosed structure on all sides.
- Best suited for situations where there is ample space behind the equipment and something to mount, ensuring full protection and sound insulation.

Backless

- Backless pool pump & filter enclosures utilise two wall strips to connect the pool pump and filter enclosure to the wall, with a horizontal bridge attached to the top of the wall strips to ensure the system is fully enclosed. These wall strips are to be attached to the wall, with three locations available along the height.
- Additional Depth Note: Backless pool pump & filter enclosures add 50mm to the depth of the Free Standing model
- Optimal for Tight Spaces: Designed for scenarios where the equipment is located within 50 mm of a wall. The absence of a rear panel allows the box to fit against the wall, providing flexibility for equipment, pipes, and electrical connections to be positioned on the wall inside the pool pump and filter enclosure.

[View Freestanding Examples](#) 

[View Backless Examples](#) 

How to Measure

Measurement Considerations

To ensure a perfect fit and easy installation, please note that the measurements provided for each pool pump & filter enclosure are external measurements.

Internal and External Measurements:

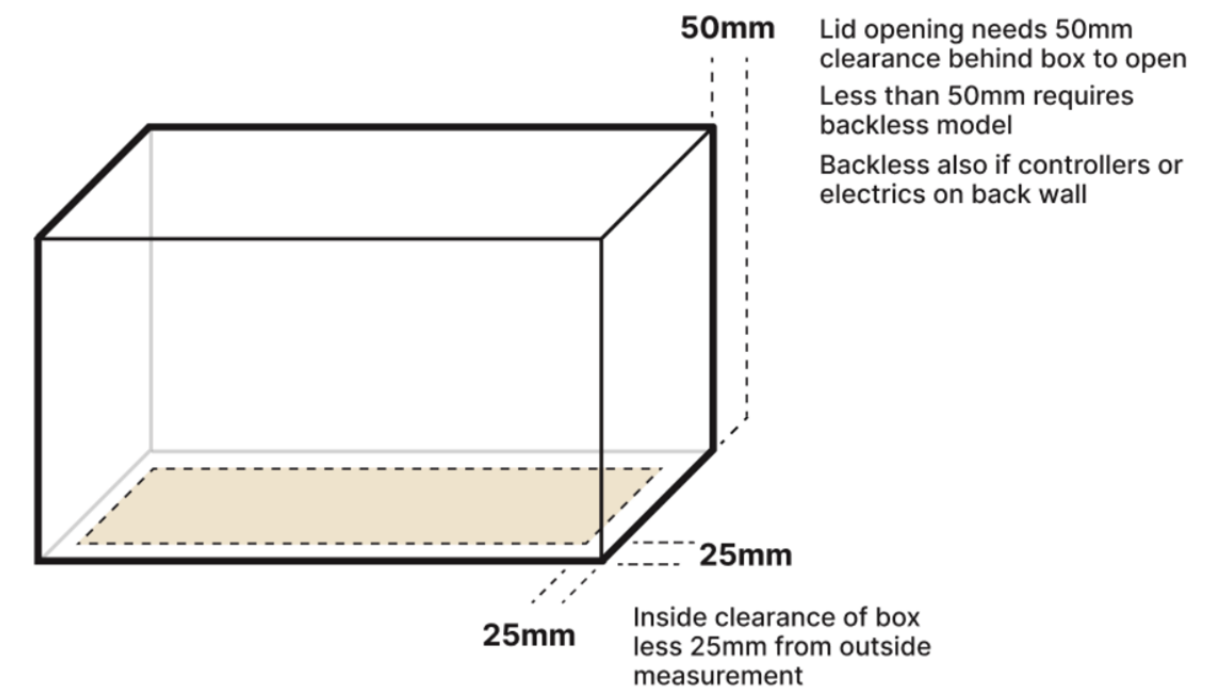
The internal measurements on a free standing box (to accommodate the panel bends and the acoustic foam) are approximately 50mm less (25mm per wall) than the external measurements. This means you can accurately gauge the space needed for your equipment based on the external dimensions provided.

Concrete Slab Allowance:

If you are placing your Acoustic Box on a concrete slab, it is advisable to allow for an additional 10-20mm on all sides of the slab. This extra space ensures that the box fits comfortably and accounts for any slight irregularities in the slab dimensions.

Lid Clearance:

The lid of the Acoustic Box requires 45mm of clearance behind the enclosure to fully open. When placing the box against a wall or other hard surfaces, please ensure this clearance is available to avoid any obstruction when accessing your equipment.



The Acoustic Box comes in 10 Standard Dulux colours as below. All the colours correspond to a colorbond colour. We can also cater for custom colours upon request with no added lead time (additional charges apply for custom colours). All colours below have a satin finish.

Monument

**Woodland
Grey**

Surfmist

**Pale
Eucalypt**

**Night Sky
Black**

**Classic
Cream**

Dune

**Stone
Grey**

Ironstone

**Cottage
Green**

Effortless Assembly with The Acoustic Box™



Discover the simplicity of our soundproofed pool pump and filter enclosures.

Are your customers looking for a quick and easy solution to reduce noise around their pool area? Look no further than The Acoustic Box™. Our enclosures are designed for effortless assembly, ensuring a smooth installation process that takes as little as 15 minutes.

No Nuts, Bolts, or Special Tools Required

The Acoustic Box™ is engineered with simplicity in mind. There's no need for nuts, bolts, screws, or any special tools. This hassle-free installation is part of our commitment to providing practical, user-friendly solutions that anyone can assemble, even without DIY expertise.

Step-by-Step Instructions for Easy Installation

Each Acoustic Box™ enclosure comes with clear, step-by-step instructions, making the setup straightforward and stress-free. Whether your customers are seasoned DIY enthusiasts or complete beginners, they'll find our enclosures incredibly easy to assemble.

See It in Action

Want to see just how simple it is? Check out the video below where we demonstrate the entire assembly process.

[Assembly Process](#) 



Model	Width External (Internal) (mm)	Depth External (Internal) (mm)	Height External (Internal) (mm)	Retail Price (Inc GST)
110609	1100 (1050)	660 (610)	900 (855)	\$2034~
110611	1100 (1050)	660 (610)	1145 (1100)	\$2034~
110613	1100 (1050)	660 (610)	1345 (1300)	\$2254~
110909	1100 (1050)	900 (850)	900 (855)	\$2034~
110911	1100 (1050)	900 (850)	1145 (1100)	\$2034~
110913	1100 (1050)	900 (850)	1345 (1300)	\$2254~
110918	1100 (1050)	900 (850)	1845 (1800)	\$3189~
111109	1100 (1050)	1100 (1050)	900 (855)	\$2034~
111111	1100 (1050)	1100 (1050)	1145 (1100)	\$2034~
111113	1100 (1050)	1100 (1050)	1345 (1300)	\$2254~
111118	1100 (1050)	1100 (1050)	1845 (1800)	\$3189~
111311	1100 (1050)	1350 (1300)	1145 (1100)	\$2254~
111313	1100 (1050)	1350 (1300)	1345 (1300)	\$2584~
130609	1350 (1300)	660 (610)	900 (855)	\$2254~
130611	1350 (1300)	660 (610)	1145 (1100)	\$2254~
130613	1350 (1300)	660 (610)	1345 (1300)	\$2584~
130909	1350 (1300)	900 (850)	900 (855)	\$2254~
130911	1350 (1300)	900 (850)	1145 (1100)	\$2254~
130913	1350 (1300)	900 (850)	1345 (1300)	\$2584~
130918	1350 (1300)	900 (850)	1845 (1800)	\$3574~

Model	Width External (Internal) (mm)	Depth External (Internal) (mm)	Height External (Internal) (mm)	Retail Price (Inc GST)
131109	1350 (1300)	1100 (1050)	900 (855)	\$2254~
131111	1350 (1300)	1100 (1050)	1145 (1100)	\$2254~
131113	1350 (1300)	1100 (1050)	1345 (1300)	\$2584~
131118	1350 (1300)	1100 (1050)	1845 (1800)	\$3574~
131309	1350 (1300)	1350 (1300)	900 (855)	\$2584~
131311	1350 (1300)	1350 (1300)	1145 (1100)	\$2584~
131313	1350 (1300)	1350 (1300)	1345 (1300)	\$2804~
160609	1650 (1600)	660 (610)	900 (855)	\$2364~
160611	1650 (1600)	660 (610)	1145 (1100)	\$2364~
160613	1650 (1600)	660 (610)	1345 (1300)	\$2694~
160909	1650 (1600)	900 (850)	900 (855)	\$2364~
160911	1650 (1600)	900 (850)	1145 (1100)	\$2364~
160913	1650 (1600)	900 (850)	1345 (1300)	\$2694~
160918	1650 (1600)	900 (850)	1845 (1800)	\$3574~
161109	1650 (1600)	1100 (1050)	900 (855)	\$2364~
161111	1650 (1600)	1100 (1050)	1145 (1100)	\$2364~
161113	1650 (1600)	1100 (1050)	1345 (1300)	\$2694~
161118	1650 (1600)	1100 (1050)	1845 (1800)	\$3574~
161309	1650 (1600)	1350 (1300)	900 (855)	\$2804~
161311	1650 (1600)	1350 (1300)	1145 (1100)	\$2804~

Model	Width External (Internal) (mm)	Depth External (Internal) (mm)	Height External (Internal) (mm)	Retail Price (Inc GST)
161313	1650 (1600)	1350 (1300)	1345 (1300)	\$3024~
161611	1650 (1600)	1650 (1600)	1145 (1100)	\$3024~
161613	1650 (1600)	1650 (1600)	1345 (1300)	\$3244~
220609	2228 (2178)	660 (610)	900 (855)	\$3024~
220611	2228 (2178)	660 (610)	1145 (1100)	\$3024~
220613	2228 (2178)	660 (610)	1345 (1300)	\$3464~
220909	2228 (2178)	900 (850)	900 (855)	\$3024~
220911	2228 (2178)	900 (850)	1145 (1100)	\$3024~
220913	2228 (2178)	900 (850)	1345 (1300)	\$3464~
220918	2228 (2178)	900 (850)	1845 (1800)	\$4014~
221109	2228 (2178)	1100 (1050)	900 (855)	\$3024~
221111	2228 (2178)	1100 (1050)	1145 (1100)	\$3024~
221113	2228 (2178)	1100 (1050)	1345 (1300)	\$3464~
221309	2228 (2178)	1350 (1300)	900 (855)	\$3464~
221311	2228 (2178)	1350 (1300)	1145 (1100)	\$3464~
221313	2228 (2178)	1350 (1300)	1345 (1300)	\$3794~
221118	2228 (2178)	1100 (1050)	1845 (1800)	\$4014~

Model	Width External (Internal) (mm)	Depth External (Internal) (mm)	Height External (Internal) (mm)	Retail Price (Inc GST)
Pump Box – Standard Pump Box –	850 (810)	330 (275)	380 (360)	\$935~
Pump Box – Long	1020 (980)	330 (275)	380 (360)	\$935~
Pump Box – Short	680 (640)	330 (275)	380 (360)	\$935~

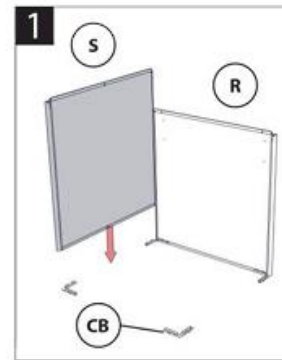
Optional Extras

Installation <small>(Syd, Mel, Bris, Gold Coast)</small>	Regular installation – carried out by a qualified Pool Tech and includes core drilling panels to allow for pipes in / out of enclosure	\$435*
Site inspection <small>(Syd, Mel, Bris, Gold Coast)</small>	Site visit to confirm measurements & suitable size - fully deductible from final invoice	\$88* - \$165*
Footings	H3 treated timber, cut to the size of the enclosure (45mm D and 90mm H)	\$182~
Side access (<1400mm H)	additional access on either side <i>(no gas strut on side-access side)</i>	\$329~
Side access (>1400mm H)	additional access on either side <i>(no gas strut on side-access side)</i>	\$439~
Louvered door	Louvered door (in lieu of standard door) for additional ventilation	\$219~
Grilled panel	A panel with a grill for additional ventilation <i>(required when covering heaters / other types of compressors)</i>	\$219~
Grilled door	A door with a grill for additional ventilation <i>(required when covering heaters / other types of compressors)</i>	\$186~
Flue Kit	For enclosing gas heaters – powder-coated the same colour as enclosure and includes cut-out in side panel for venting	\$435~
Levelling feet	Adjustable feet to increase box height by up to 40mm (8 pieces)	\$54~
Extra Timber	Additional dressed timber board on side panel	\$87~
Custom Colour	Non-standard Colour (Dulux powder coat range only)	\$296~
Acid Feeder Box	For enclosing 15L acid drums (600mm W x 400mm D x 400mm H)	\$655~

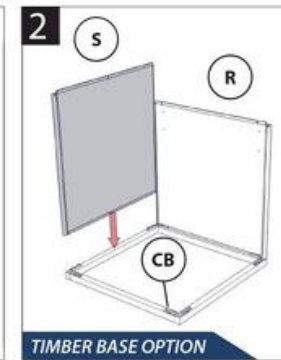
Delivery	To nearest depot	Door-to-door
Sydney Metro	N/A	\$121*
Brisbane metro; SE QLD; Northern NSW	\$138	\$275*
Melbourne Metro	\$138	\$275*
Adelaide metro	\$198	\$330*
Perth Metro	\$220	\$385*
Other areas / Interstate & Regional	POA	POA*

User Guides

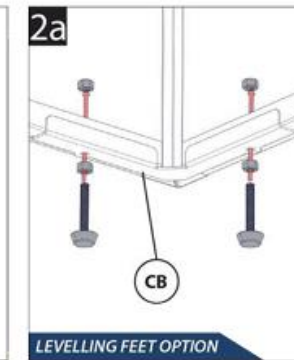
[Download here](#)



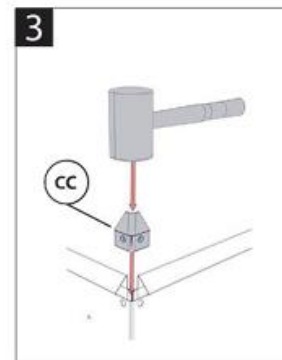
Place slots on bottom of side and rear panel and locate on slots on corner brackets.



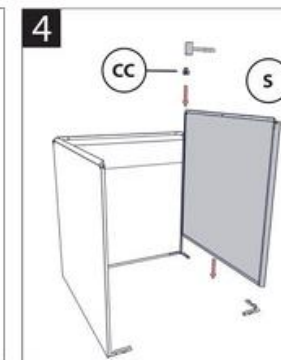
If no concrete slab / other flat surface is available, use timber base frame as shown.



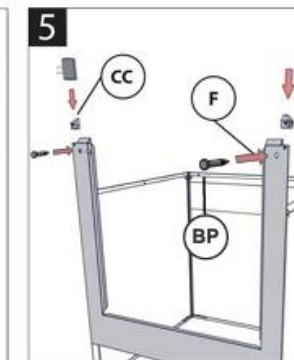
If installing on an uneven / unlevelled surface, please use the optional feet (through holes in bottom corners) to raise the box and adjust the nuts below / above the corner bracket to suit.



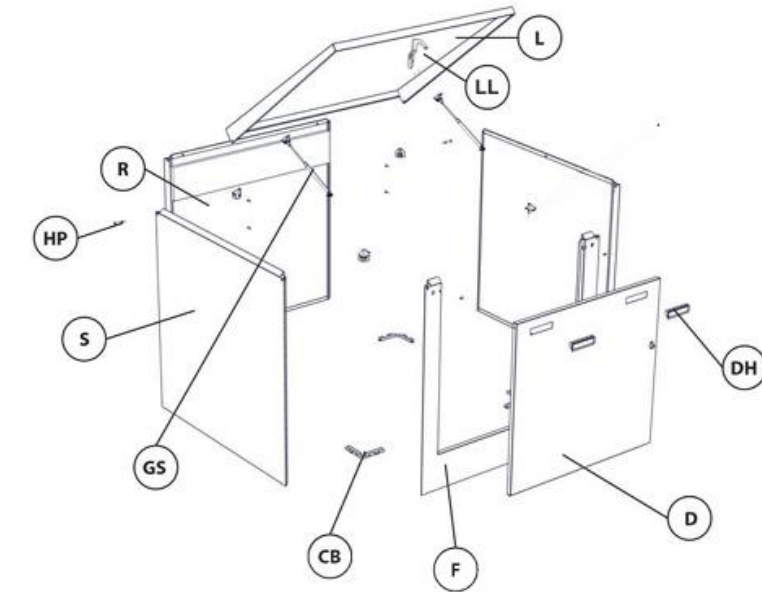
Now insert a plastic cap into the holes in the top of the panel to join them. Tap into place with a mallet.



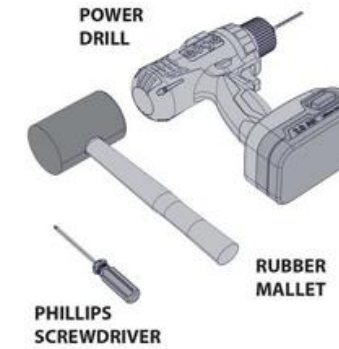
Insert the other side panel and cap.



Slide front panel onto corner brackets. Insert the last 2 caps and insert 2 x BP into slots on the front panel through the corner caps. If you have >1.3m wide models, see step 6 before inserting caps.



REQUIRED TOOLS



Part No.	Description	Qty.
S	SIDE PANEL	2
R	REAR PANEL	1
F	FRONT PANEL	1
D	REMOVABLE FRONT DOOR	1
L	LID	1
CB	CORNER BRACKET	4
HP	HINGE PIN	2
LL	LATCH	1
CC	CORNER CAP	4
DH	DOOR HANDLE	2
CG	CORNER GUSSET	2
BP	BASE PINS	12

Image library



Standard



Backless



Single Boxes



Double Boxes



Triple Boxes



Flu Kits



Ventilated Grills



Sideless Boxes



Footings

Delivery & Returns

Delivery

The Acoustic Box™ distributes nationwide from our Sydney manufacturing facility. Once your order has been received, it will be made and dispatched within 4-5 working days.

With delivery schedule between 2 and 5 working days to most parts of Australia you could be enjoying your Acoustic Box in no time.

Returns

We are more than happy to provide a refund should the goods you purchased be:

- Faulty or unsafe
- Do not match the sample or description
- Do not do what we said it would
- Do not do what you asked for

Our Returns Policy includes the rights you have under the Australian Consumer Law and provides you with additional benefits in addition to those rights, because your satisfaction is important to us. What If I got the pool size wrong? If your goods remain boxed and unopened you may return them within 30 days from your original purchase date for a refund.

Please [click here](#) for further information on our returns policy.