



Below Ground Pool Cover Box

Installation Instructions

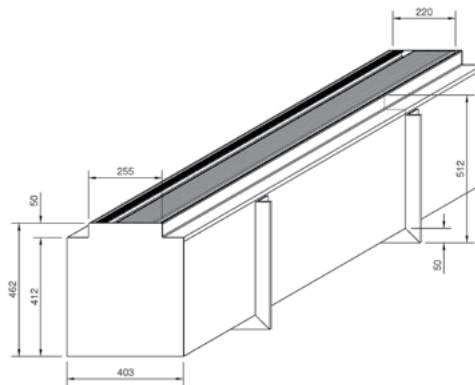


ITEMS YOU WILL NEED TO INSTALL THE BOX

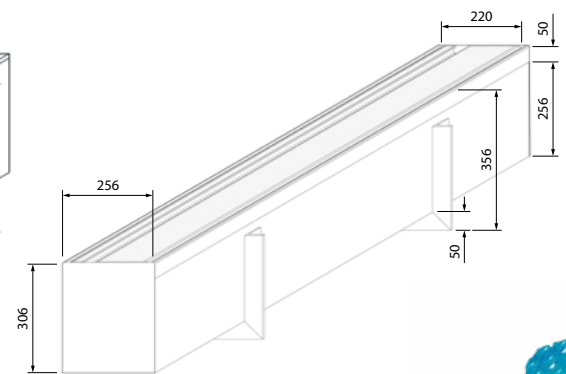
- 2 ropes or straps to carry and lift box
- Shovels
- Tape measure
- Spirit level or levelling device
- Rubber mallet
- 17mm socket or spanner
- 2 concrete slabs 450mm x 450mm or 300mm x 600mm
- Blue metal or stone aggregate equivalent (approx. 2 bags per 1sqm).



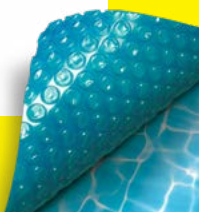
Electrical Bonding AS/
NZS 3000:2018
(Wiring Rules):
If unit is installed within
arm's reach (1.25m) of
the pool edge, engage
a licenced electrician
to equipotential bond
the unit. Check state
legislation before
commencing works.



Below Ground Box

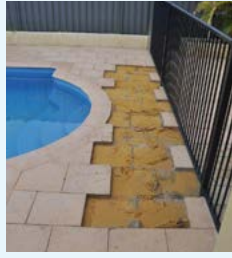


Below Ground Box Small Model



INSTRUCTIONS

1. Prepare dig zone by removing pavers if being installed into pre paved area.

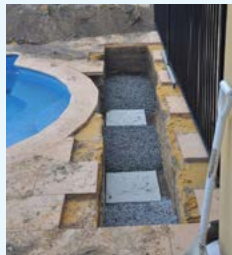


2. Dig trench to minimum of 550mm wide and 555mm deep (BGB) or 400mm wide and 410mm deep (BGB Small) and at least 300mm past either side of the pool's waterline edge. For example, if pool is 4000mm wide dig trench 4600mm long.



3. If space is restricted on one side, place box at least 100mm past the pool edge or as far as possible if pool wall is on a boundary. Please ask us for advice on placement in restricted space circumstances.

4. Once trench is dug to correct size and depth, place concrete slabs at each end where angle braces are located on the box (approx. 1000mm – 1200mm from end of box).



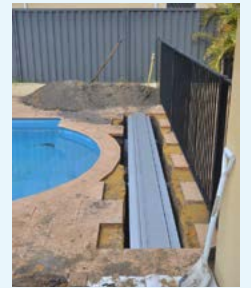
5. Level these slabs so they are approx. 512-515mm (BGB) or 356-360mm (BGB Small) below the finished height of paving or concrete. Place spirit level on pool headers and lay across the trench propping the other end up so spirit level is level. Using the level, measure down to the slabs to obtain correct depth of slab. Use rubber mallet to tap down to bed slab in.

6. Once both slabs are in place and at correct level, place for sufficient drainage, blue metal or aggregate along the trench making sure you do not exceed more than 50mm above the slab height, for boxes with a centre brace or braces leave a small amount out so brace doesn't touch the blue metal.

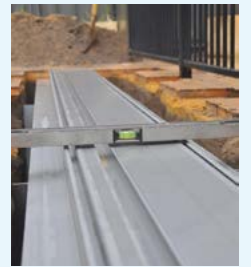
NOTE: Take note of site and soil drainage requirements. Extra (sub soil) drainage may be required to take water away from the BGB. If there is not sufficient drainage the BGB will fill with water.

7. Once blue metal is down you are ready to place box into hole. Carry box to the trench edge, place rope or straps under each end of box and use these to lift and lower into hole.

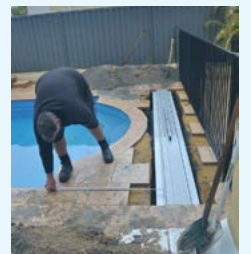
Note: Ensure correct orientation – lid opens towards pool



8. With box in the hole and end braces with jacking bolts are sitting on concrete slabs, level box up to required height via the 4 external bolts, screw all 4 down so they touch the concrete slabs and then every 1 turn gives you approx. 1mm of lift.



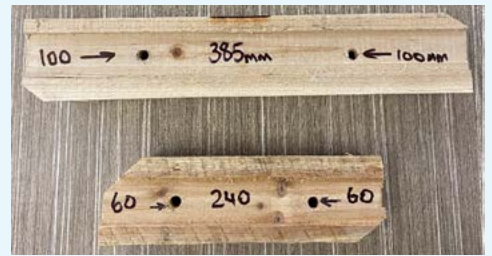
9. Once box is level, measure the distance away from pool headers so they are the same either side (within a couple of millimetres).



10. Ensure the 3 x chocks are securely installed. Use 2 to 3 depending on size, evenly spaced into the top of BGB.

- BGB Standard chocks approx. 385mm long
- BGB Small chocks approx. 240mm long

10a. Close unit. Make sure the orientation of the BGB lid opening is correct (lid opens towards pool)



11. Once the box is level and square to the pool, start back filling with soil. Remember to wash in soil as you go to eliminate any air pockets around the box.

NOTE: Do not compact directly around unit. Compaction or over compaction may cause front of unit to bend in – jamming lid.

12. Leave chocks in place until paving or concrete has been completed. This will prevent any extra pressure (caused from walking around the box or compaction) that may push the walls in too far.

13. To prevent lid from decolourisation, protect lid from concrete slurry, sealers, acids and chlorine.

14. The roller Bevel Gearbox drive mechanism can be installed either side of unit. To change ends, simply unbolt the 8mm mounting bolts (through square tube) to remove and turn the roller around

15. To operate the roller:

- To Recover:** insert handle drive into socket, rotate handle to recover pool cover all the way into the unit. Place handle inside unit, close lid.
- To Deploy:** remove handle from unit so it does not damage the pool cover, take hold of one side of the pool cover and gently walk down the length of the pool.
- Alternatively, Daisy's convenient new invention, the Daisy Drill Drive allows you to wind up your BGB with a standard power drill. Simply use the extension arm and turn on your drill. Your Daisy Pool Cover will quickly and easily wind into the BGB.



NOTE:

- Always roll the cover 'over' the tube, never 'under' the tube
- If there is any obstruction on the cover, it will make the roller harder to use. Stop and check to avoid damaging the pool cover.
- If the pool has square headers that grab the pool cover, the cover will need to be trimmed back, even to less than waterline so cover comes out of pool unobstructed.

POOL COVER INSTALLATION FOR BELOW GROUND BOXES

Install the pool cover to maximum water line size then test the operation of the BGB. The pavers over the edge of the pool can catch the sides of the pool cover acting like a brake. This is of no concern for normal above ground rollers as the roller is picking up, or pulling the cover up and out of the pool.

With the BGBs, the cover is being pulled along the ground, meaning the edges are being pulled into the corners, not out of them.

Square pools and pools with non-round paving generally will 'grab' the cover more simply trimming the pool cover narrower, to the coping opening size will fix the problem.

REGULAR MAINTENANCE:

- Ensure lid is clear of debris, sand and dirt to avoid scratching the lid if people walk over it
- Check all mounting bolts are secure
- Check all coupling bolts are secure
- Apply smear of marine grade grease to gearbox shafts

REGISTER YOUR WARRANTY ONLINE

Your Daisy can last for so many years! So it's a good idea to register your warranty online with Daisy. We'll keep all your details safe, so you don't have to worry!

Two easy steps:

1. Scan your purchase receipt. Ensure the date of purchase is clearly visible.
2. Go to our website, and click on Warranty Registration. Fill in the details and send!

Please staple your purchase receipt to this page.

Register online at daisypoolcovers.com.au

We rarely get a warranty claim but just in case anything goes wrong we're here to help you. All Daisy products come with a pro-rata warranty which covers the purchaser for defective materials or workmanship on a pro-rata basis. The manufacturer will repair or replace the product upon inspection or photo image. Daisy reserves the right to refuse repeat claims of the same damage. This warranty may be void if the purchaser fails to comply with the manufactures install instructions.

Retain your proof of purchase for warranty coverage or register your warranty online. Failure to follow the installation steps correctly, or excessive compacting around the box when installed, may result in crushing of the box front and/or back walls that will make the lid hard or impossible to open. Repairing or fixing the lid being due to issues due to this installation technique is not covered under the warranty. The 5 Year Structural Warranty does not cover scratches or chips to the powder coating colour or finished surfaces.

AUSTRALIA'S FAVOURITE.

1300 55 18 11 • hello@daisypoolcovers.com.au
daisypoolcovers.com.au

Quality | Technology | Service

